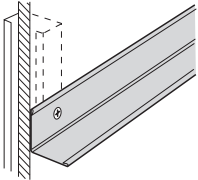
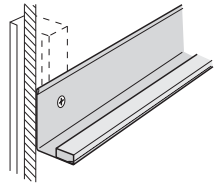
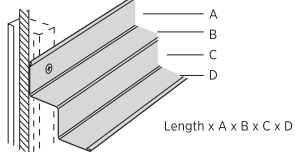
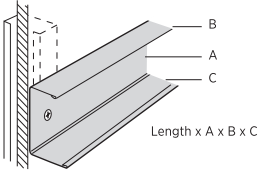
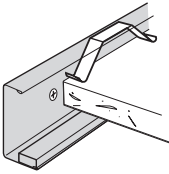
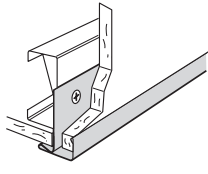


SUSPENSION SYSTEMS ACCESSORIES MOLDINGS

<p>Angle Molding</p> <p>Use for standard ceiling perimeters.</p> 	<p>Angle Molding w/Gasket M12CE</p> <p>Use in cleanroom applications with USG Donn® Brand CE™ Acoustical Suspension System.</p> 	<p>Shadow Molding</p> <p>For creating reveals at ceiling perimeters. Also helps to hide imperfections in drywall partitions and bulkheads.</p> 
<p>US Channel Wall Molding</p> <p>Use with C-8 clip to hold down perimeter ceiling panels.</p> 	<p>US Channel Wall Molding w/Gasket US28CE</p> <p>Use with C-8 clip in cleanroom application with USG Donn® Brand CE™ Acoustical Suspension System.</p> 	<p>F-Molding</p> <p>Use to create ceiling breaks, soffit joints and changes in elevation.</p> 

Catalog Number	Description	Packaging/Ctn.		
		LF	Pcs.	Wt. (lbs.)
M7 ¹	12'x7/8"x7/8" Wall Molding	480	40	63
M7OL	12'x7/8"x7/8" Overlapping Wall Molding	480	40	63
M7A	12'x7/8"x7/8" Aluminum Wall Molding	480	40	26
M7-10	10'x7/8"x7/8" Wall Molding	400	40	26
M7SS	12'x7/8"x7/8" Stainless Steel Wall Molding	240	20	31
M7Z	12'x7/8"x7/8" Hot-Dipped Galvanized Steel Wall Molding	480	40	58
M9 ¹	12'x9/16"x15/16" Wall Molding	480	40	55
M9-10	10'x9/16"x15/16" Wall Molding	400	40	23
M12	10'x1"x1-1/2" Wall Molding	250	25	63
MC11A25	10'x1"x1" Aluminum Cap Wall Molding	250	25	39
M12CE	10'x1"x1-1/2" Wall Molding w/gaskets	240	48	59
M20SM	10'x1"x2" Wall Molding	250	25	80
M20SM-2	10'x2"x2" Wall Molding	200	20	76
M20 ²	10'x1"x2" Wall Molding	250	25	55
MS124	12'x15/16"x1/4"x5/16"x15/16" Shadow Molding (Option 1)	300	25	46
—	12'x15/16"x5/16"x1/4"x15/16" Shadow Molding (Option 2)	—	—	—
MS134	12'x9/16"x1/4"x5/16"x3/4" Shadow Molding (Option 1)	300	25	37
—	12'x3/4"x5/16"x1/4"x9/16" Shadow Molding (Option 2)	—	—	—
MS144	12'x3/4"x3/8"x1/2"x3/4" Shadow Molding (Option 1)	300	25	48
—	12'x3/4"x1/2"x3/8"x3/4" Shadow Molding (Option 2)	—	—	—
MS154 ³	12'x7/8"x3/4"x3/4"x7/8" Shadow Molding	300	25	67
MS164	12'x3/4"x3/4"x3/4"x3/4" Shadow Molding	300	25	62
MS174 ³	12'x7/8"x3/8"x3/8"x9/16" Shadow Molding (Option 1)	300	25	43
—	12'x9/16"x3/8"x3/8"x7/8" Shadow Molding (Option 2)	—	—	—
MS274	10'x7/8"x3/4"x9/32"x1-1/4" Shadow Molding	200	20	54
US12	10'x3/4"x1/2"x1" U-Molding	500	50	44
US20	10'x1-1/4"x1/2"x1" U-Molding	300	30	57
US28	10'x1-11/16"x1/2"x1" U-Molding	300	30	63
US31	10'1-15/16"x1/2"x1" U-Molding	300	30	70
UA25	10'x1-9/16"x1/2"x1" Aluminum U-Molding	300	30	33
U-2-3/32	12'x2-3/32"x7/8"x1-1/8" Aluminum U-Molding, Flat White	360	30	90
US28CE	10'x1-11/16"x1/2"x1" U-Molding w/gaskets, Flat White	300	30	63
MF8	10'x1/2" F-Molding (for 1/2" panels)	100	10	28
MF10	10'x5/8" F-Molding (for 5/8" panels)	100	10	29

Notes

1. M7 and M9 available in color. For colors other than Flat White and Flat Black, packaging is 240 LF per carton.
2. Not all M20 moldings are available in all areas. Please contact your USG Sales Representative.
3. MS154 and MS174 available with exposed horizontal leg painted a color.

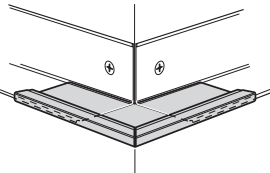
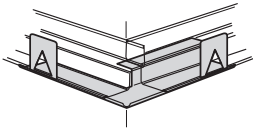
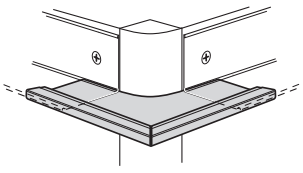
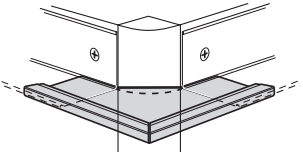
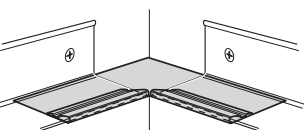
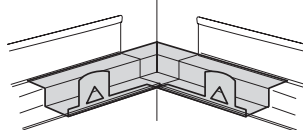
ANGLE MOLDING

SHADOW MOLDING
Length x A x B x C x D
(See illustration above)

US CHANNEL WALL MOLDING

F-MOLDING

SUSPENSION SYSTEMS ACCESSORIES MOLDINGS

<p>Square Molding Corner Clip JS</p> <p>Use with angle molding.</p> 	<p>Outside Corner JS174</p> <p>Use with MS174 shadow molding.</p> 	<p>Radius Molding Corner Clip JH, JB</p> <p>For radius or "bullnose" corners.</p> 
<p>Field-Modified Corner JM16</p> <p>Cut-out clip to fit field condition.</p> 	<p>Inside Corner Angle Mold A2</p> <p>Use with angle molding.</p> 	<p>Prefabricated Inside Corner A174</p> <p>Use with MS174 shadow molding.</p> 

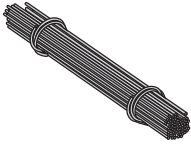
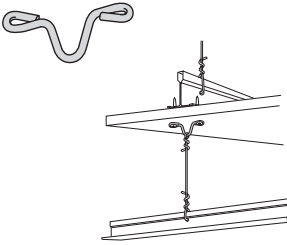
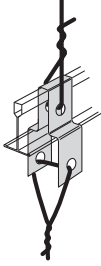
Catalog Number	Description	Packaging/Ctn.	
		Pcs.	Wt. (lbs.)
JS9	Square 90° Outside Corner Cap for 9/16" molding	100	3
JS14	Square 90° Outside Corner Cap for 7/8" molding	100	3
JS16	Square 90° Outside Corner Cap for 1" molding	100	3
JS174	Square 90° Outside Corner Cap for MS174 Shadow Molding	50	1.5
JS274	Square 90° Outside Corner Cap for MS274 Shadow Molding	50	1.5
JH9	1" Radius 90° Outside Corner Cap for 9/16" molding	100	3
JH12	1" Radius 90° Outside Corner Cap for 3/4" molding	100	3
JH14	1" Radius 90° Outside Corner Cap for 7/8" molding	100	3
JH15	1" Radius 90° Outside Corner Cap for 15/16" molding	100	3
JH16	1" Radius 90° Outside Corner Cap for 1" molding	100	3
JB14	3/4" Radius 90° Outside Corner Cap for 7/8" molding	100	3
JB16	3/4" Radius 90° Outside Corner Cap for 1" molding	100	3
JM16	Field-Modified Corner for 1" molding	100	3
INSIDE CORNERS			
A2	Inside Corner Cap for 7/8" molding	200	4
A174	Inside Corner Cap for MS174 Shadow Molding	50	1.5
A274	Inside Corner Cap for MS274 Shadow Molding	50	1.5

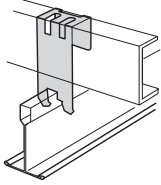
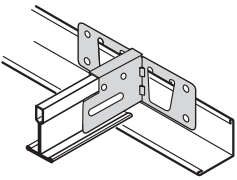
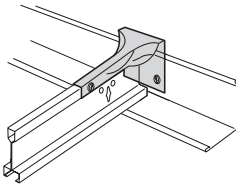
OUTSIDE CORNERS

INSIDE CORNERS

SUSPENSION SYSTEMS ACCESSORIES

GRID INSTALLATION

<p>Galvanized Hanger Wire A</p> <p>To suspend acoustical ceilings. Also use for flat and curved USG Drywall Suspension System.</p> 	<p>Drywall Grid Hanger Clip B</p> <p>To suspend secondary ceiling.</p> 	<p>Grid Load Transfer Bracket C</p> <p>To suspend secondary ceiling.</p> 
---	--	---

<p>Furring Clip for Grid to Channel D</p> <p>Connect grid to 1-1/2" channel.</p> 	<p>Seismic Attachment Clip for Perimeter Conditions E</p> <p>Attach tee ends at the perimeter in seismic design categories C, D, E and F.</p> 	<p>Molding Attachment Clip F</p> <p>Attach tees to angle molding and shadow molding.</p> 
---	---	---

Catalog Number	Description	Packaging/Ctn.		Detail Key
		Pcs.	Wt. (lbs.)	
215109	12-Gauge Wrapped 12 ft.; 50 lb. bundle	140	50	A
217128	12-Gauge Wrapped 12 ft.; 36 lb. bundle	100	36	A
217268	12-Gauge Wrapped 16 ft.	100	48	A
DGHC	Drywall Grid Hanger Clip	100	1.5	B
256860	Grid Load Transfer Bracket, 15/16" grid	250	13	C
256861	Grid Load Transfer Bracket, 9/16" grid	250	13	C
256862	Grid Load Transfer Bracket, 1-1/2" grid	250	13	C
V-14	Furring Clip for Grid to Channel	500	45	D
ACM7	Seismic Perimeter Attachment Clip	100	7	E
MAC2	Molding Attachment Clip	100	3	F

Notes

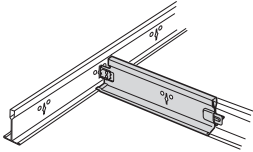
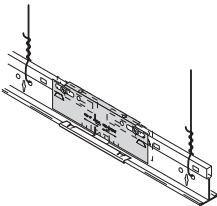
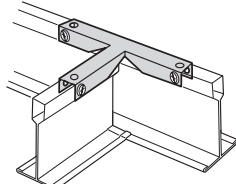
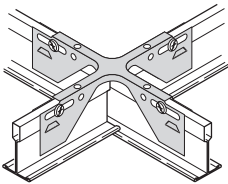
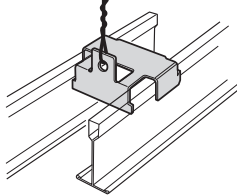
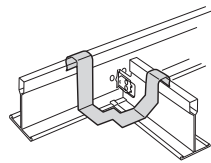
1. For special lengths, contact your USG Sales Representative. Hanger wire complies with Federal Specification QA-W-461H.
2. Please refer to www.seismicceilings.com for more information about seismic applications with the ACM7 seismic clip.

GALVANIZED HANGER WIRE¹
Consult Customer Service for available lengths in your area.

GRID TO PRIMARY SUPPORT

GRID TO MOLDING²

SUSPENSION SYSTEMS ACCESSORIES GRID INSTALLATION

<p>MT/CT Converter G</p> <p>Changes main-tee direction 90° from adjacent main tee.</p> 	<p>Two-Way Seismic Separation Joint Clip H1</p> <p>For seismic separation joints in IBC Seismic Design Categories D, E and F.</p> 	<p>Three-Way Off-Module Connector H2</p> <p>Use with cross tees and main tees that are the same height.</p> 
<p>Four-Way Seismic Separation Joint Clip I</p> <p>For seismic separation joints in IBC Seismic Design Categories D, E and F.</p> 	<p>Paired Main Tee Clip J</p> <p>Use for linear air diffusers; use only with USG Donn® Brand DX[®]/DXL™, DXLA™, ZXLA™, Finline™ DXF™ and Finline 1/8 DXFF™.</p> 	<p>Light-Fixture Clip K</p> <p>For USG Donn® Brand Centricitee™ DXT™/DXLT™ suspension system; use black clips with parabolic fixtures. Cross tee must be connected to main tee.</p> 

Catalog Number	Description	Packaging/Ctn.		Detail Key
		Pcs.	Wt. (lbs.)	
DXMCT/CT	9"x1-1/2" MT/CT Converter, changes MT direction	75	13	G
DH2	Two-Way Seismic Separation Joint Clip	100	2	H1
DH3	Three-Way Off-Module Connector	100	3	H2
DH4	Four-Way Seismic Separation Joint Clip	100	4	I
V-32	Paired Main Tee Clip (2" separation center-to-center)	100	3	J
LFC	Light-fixture hold-down clip—for 9/16" grid	100	2	K

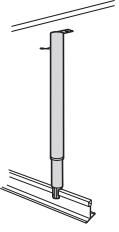
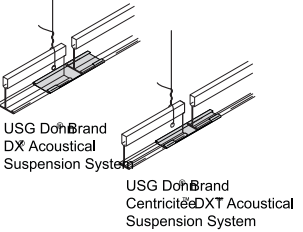
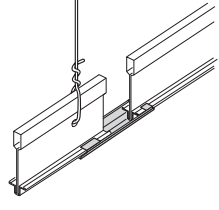
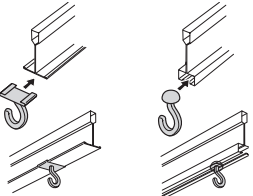
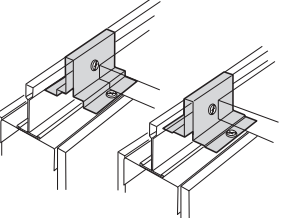
Notes

1. Please refer to Submittal Sheet AC3301 for more information about the DH2 two-way seismic separation joint clip.
2. Please refer to Submittal Sheet AC3271 for more information about the DH4 four-way seismic separation joint clip.

TEE TO TEE

LIGHT-FIXTURE CLIP

SUSPENSION SYSTEMS ACCESSORIES GRID INSTALLATION

<p>Seismic Compression Post¹ L</p> <p>For lateral bracing in IBC Seismic Design Categories D, E, F and exterior ceiling applications for wind uplift.</p> 	<p>Tee Face Sleeve M1</p> <p>To cut in tees to existing system and for separation joints.</p>  <p>USG Donn® Brand DX Acoustical Suspension System USG Donn® Brand Centricitee® DXT Acoustical Suspension System</p>	<p>Tee Face Sleeve² M2</p> <p>To cut in tees to existing system and for separation joints.</p> 
<p>Accessory Hanger Hook³ O</p> <p>Remove top clip for use with standard 1/4" USG Donn® Brand Fineline® Acoustical Suspension System.</p>  <p>USG Donn® Brand DX Acoustical Suspension System USG Donn® Brand Fineline® DX Acoustical Suspension System</p>	<p>Partition Attachment Clip⁴ P1 and P2</p>  <p>Reveal edge Square edge</p>	

Catalog Number	Description	Packaging/Ctn.		Detail Key
		Pcs.	Wt. (lbs.)	
VSA18/30	Adjustable 18" to 30"	1	2.0	L
VSA30/48	Adjustable 30" to 48"	1	2.5	L
VSA48/84	Adjustable 48" to 84"	1	4.5	L
VSA84/102	Adjustable 84" to 102"	1	7.5	L
VSA102/120	Adjustable 102" to 120"	1	9	L
VSA120/144	Adjustable 120" to 144"	1	11	L
TFS-1	Tee Face Sleeve (3" long) for 15/16" USG Donn® Brand DX [®] /DXL™ Acoustical Suspension System	100	10	M
TFS-2	Tee Face Sleeve (3" long) for 9/16" USG Donn® Brand Centricitee™ DXT™ Acoustical Suspension System	100	3	M
TFS-3	Tee Face Sleeve (3" long) for USG Donn® Brand Fineline® DXF™ Acoustical Suspension System with 1/4" Reveal	100	4	M
TFS-4	Tee Face Sleeve (3" long) for USG Donn® Brand Fineline® 1/8 DXFF™ Acoustical Suspension System with 1/8" Reveal	100	4	M
TFS-5	Tee Face Sleeve (3" long) for USG Donn® Brand Identitee™ DXI™ Acoustical Suspension System with 1/8" Reveal	100	4	N
TFS-5 DXI FC	Tee Face Intersection sleeve (3" long) for USG Donn® Brand Identitee™ DXI™ Acoustical Suspension System with 1/8" Reveal	100	4	N
AH1	Accessory Hanger Hook (white, injection molded)	50	1	O
PAC15-SQ	Partition Clip for 15/16" or 9/16" SQ panels (245339)	100	8	P1
PAC15-SL	Partition Clip for 15/16" SL panels (254340)	100	8	P2
PAC 9-FL	Partition Clip for 9/16" FL panels (254341)	100	8	P2

Notes

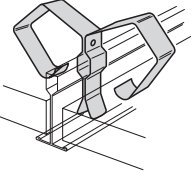
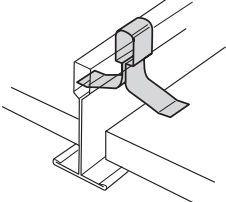
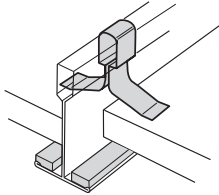
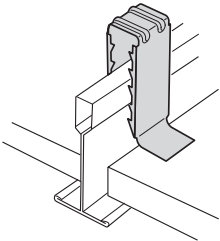
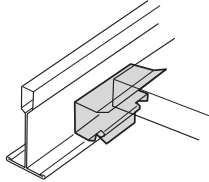
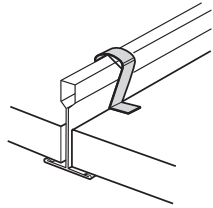
1. Please refer to Compression Posts (SC2497) for more information about USG compression posts.
2. The USG Donn® Brand Identitee™ DXI™ Tee-Face Intersection Sleeve (TFS-5 DXI FC) is used for off-module intersections to maintain the clean, uninterrupted aesthetic of the grid profile.
3. Whenever possible the accessory hanger hook should be installed on a main tee. If an accessory hanger hook is installed on a main tee, the load should not exceed 10 lbs. without installing a supplementary hanger wire support to the structure at the location of the hanger hook. If an accessory hanger hook is installed on a cross tee, the load should not exceed 4 lbs. without installing a supplementary hanger wire support to the structure at the location of the hanger hook. The accessory hanger hook is not designed to support loads exceeding 30 lbs.
4. The partition attachment clip shown above is manufactured by Revoe Manufacturing of Canada (www.revoe.com) and can be purchased through USG.

SEISMIC COMPRESSION
POSTS

TEE ACCESSORIES

PARTITION ATTACHMENT

SUSPENSION SYSTEMS ACCESSORIES GRID INSTALLATION

<p>Panel Retention Clip 20428 P3</p> <p>Attaches to 1-1/2" main tees and cross tees behind lay-in ceilings. The retention clips help prevent panel displacement from incidental contact. Recommended with USG Rock Face® Acoustical Panels for impact-resistant systems.</p> 	<p>Hold-Down Clip—Fire-Rated Grid Q1</p> <p>Used when required in some fire-rated assemblies.</p> 	<p>Hold-Down Clip Q2</p> <p>To maintain a cleanroom seal.</p> 
<p>Variable Locking Hold-Down Clip Q3</p> <p>Use as a locking hold-down clip for various acoustical and metal panels.</p> 	<p>Accessible Hold-Down Clip R</p> <p>Use as a hold-down clip for 5/8" panels. Provides ready accessibility.</p> 	<p>Variable Hold-Down Clip S</p> <p>For 5/8" to 3/4" panels.</p> 

Catalog Number	Description	Packaging/Ctn.		Detail Key
		Pcs.	Wt. (lbs.)	
20428	Attaches to 1-1/2" main tees and cross tees behind lay-in ceilings. The retention clips help prevent panel displacement from incidental contact. Recommended with USG Rock Face® Acoustical Panels for impact-resistant systems.	100	17	P3
L15	Hold-Down Clip—for 5/8" fire-rated panels	1000	7	Q1
L15CE	Hold-Down Clip—for panels in Clean Room applications (same clip as L15; smaller quantity)	500	3.5	Q2
PZ	Variable Locking Hold-Down Clip	100	1	Q3
L45	Accessible Hold-Down Clip for 5/8" panels	1000	15	R
V15	Variable Hold-Down Clip	1000	8	S

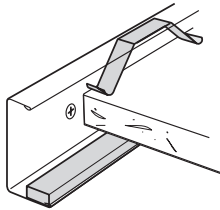
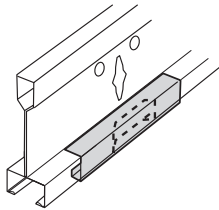
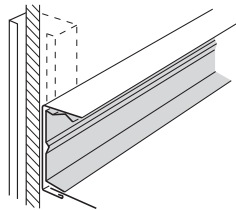
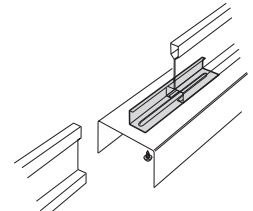
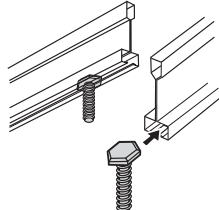
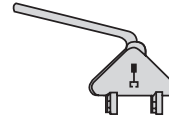
Notes

1. For more information about the Keep Clip™ from American Retention Components, Inc., please visit www.retentionclip.com.

PANEL RETENTION CLIP¹

HOLD-DOWN CLIPS

SUSPENSION SYSTEMS ACCESSORIES STABILIZER BARS

<p>Wall Spring Clip T</p> <p>To hold down perimeter ceiling panels. Useful for maintaining cleanroom seal with US28CE molding.</p> 	<p>Miter Closure Clip for USG Donn® Brand Finline® Acoustical Suspension System U</p> <p>For closing off unused miters.</p> 	<p>USG Celebration™ Hold-Down Channel Clip V</p> <p>To maintain a cleanroom seal.</p> 
<p>Partition Attachment Clip W</p> <p>To screw-attach ceiling-height partitions.</p> 	<p>T-Bolt X</p> <p>To bolt-attach partitions, signage or pendant-mounted indirect lighting.</p> 	<p>USG Donn® Brand Finline® Acoustical Suspension System Cut-Off Die Y</p> <p>Use to field-cut USG Donn® Brand Finline® tees.</p> 

Catalog Number	Description	Packaging/Ctn.		Detail Key
		Pcs.	Wt. (lbs.)	
C-8	Wall Spring Clip	2000	29	T
C-8CE	Wall Spring Clip (same clip as C-8; smaller quantity)	500	8	T
MCC3	2" Miter Closure Clip for 1/8" USG Donn® Brand Finline® Acoustical Suspension System	50	1	U
MCC2	2" Miter Closure Clip for standard USG Donn® Brand Finline® Acoustical Suspension System	50	1	U
T15	10"x11/32"x1-9/16"x3/4" Panel Hold-Down Clip	500	30	V
U-2-3/32	10"x11/32"x2-3/32"x3/4" Panel Hold-Down Clip	500	30	V
PAC1	3" Partition Attachment Clip	50	1	W
TB1	1"x1/4"-20 T-Bolt	100	1	X
FC1	USG Donn® Brand Finline® Acoustical Suspension System Cut-Off Die (scaffold mount)	1	10	Y

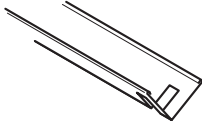
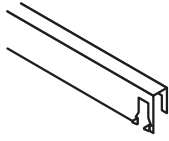
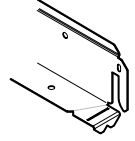
Note

1. Please refer to JSG Exterior Ceiling Applications(SC2561) for more information about exterior ceiling applications with the T15 and U-2-3/32 hold-down clips. Use T-15 hold-down clip with UA25 molding and use U-2-3/32 hold-down clip with U-2-3/32 molding.

HOLD-DOWN CLIPS

**USG DONN® BRAND
FINELINE® ACOUSTICAL
SUSPENSION SYSTEM
ACCESSORIES**

SUSPENSION SYSTEMS ACCESSORIES GRID INSTALLATION

Standard Stabilizer Bar A	Locking Stabilizer Bar B	Accessible Stabilizer Bar C
Changes main-tee direction 90° from adjacent main tee.	For seismic separation joints in IBC Seismic Design Categories D, E and F.	Use with cross tees and main tees that are the same height.
		

STANDARD STABILIZER BARS

LOCKING STABILIZER BARS

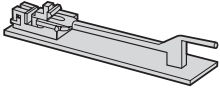
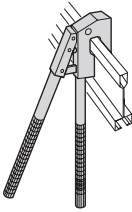
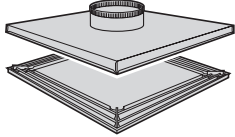
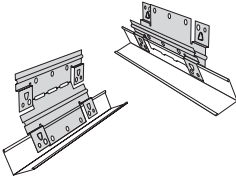
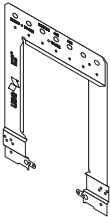
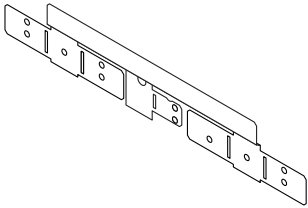
ACCESSIBLE STABILIZER BARS

Catalog Number	Description	Packaging/Ctn.			Detail Key
		LF	Pcs.	Wt. (lbs.)	
CC15-20	Standard 20" Stabilizer Bar	83.3	50	11	A
CC15-30	Standard 30" Stabilizer Bar	125	50	17	A
CC15-4-2	Standard 4' Stabilizer Bar notched 2' on center	200	50	27	A
SB12	Locking 12" Stabilizer Bar	200	200	27	B
SB24	Locking 24" Stabilizer Bar	400	200	52	B
SB24-A	Locking 24" Stabilizer Bar Elongated for Ashlar Connection	400	200	52	B
SB36	Locking 36" Stabilizer Bar	300	100	40	B
SB48	Locking 48" Stabilizer Bar	400	100	50	B
SB48-24	Locking 24" Stabilizer Bar 24" Center-to-Center Notch	400	100	50	B
SB60	Locking 60" Stabilizer Bar	500	100	64	B
ASB24	Accessible 24" Stabilizer	50	25	17	C
ASB30	Accessible 30" Stabilizer Bar	62.5	25	25	C
ASB48	Accessible 48" Stabilizer	100	25	33	C
ASB600MM	Accessible 600 mm Stabilizer Bar	15(m)	25	17	C
ASB900MM	Accessible 900 mm	22.5(m)	25	25	C
ASB1200MM	Accessible 1200 mm	30(m)	25	33	C

Notes

1. Please refer to Perimeter Treatment (SC2540) for more information about USG stabilizer bars in a seismic application.
2. Please refer to Ashlar Condition (SC2550) for more information about the SB24-A stabilizer bar elongated for ashlar modules.
3. Please refer to Application Guide (IC592) for more information about USG stabilizer bars in plank and large panel applications.

SUSPENSION SYSTEMS ACCESSORIES MISCELLANEOUS

<p>Universal Field Cross Tee Hole Tool</p> <p>For all USG Donn® Brand Acoustical Suspension Systems.</p> 	<p>Hand-Held Field Cross Tee Hold Tool</p> <p>For all USG Donn® Brand Acoustical Suspension Systems.</p> 	<p>Air Diffuser</p> <p>Field-cut foil-backed ceiling panel to fit diffuser face. Use with USG Donn® Brand Fineline® and Centricitee™ Acoustical Suspension Systems.</p> 
<p>SB2 Sloped Ceiling Bracket</p> 	<p>USG Logix™ Universal Yoke</p> 	<p>Utility Module Bracket</p> 

	Catalog Number	Description	Packaging/Ctn.	
			Pcs.	Wt. (lbs.)
CROSS TEE HOLE PUNCHES	215738	Universal Field Cross Tee Hole Tool	1	30
	200308	Hand-Held Cross Tee Hole Tool	1	5
	204755	Replacement Die Block for Universal Cross Tee Tool	1	1
	276759	Replacement Die Block for Hand-Held Cross Tee Tool	1	1
	214418	Replacement Punch for Universal Cross Tee Tool	1	1
	276760	Replacement Punch for Hand-Held Cross Tee Tool	1	1
TOUCH-UP PAINT	B14	Flat Black Spray Paint (205) ¹	6	7
	B13	Flat White Spray Paint (050) ¹	6	7
	PC15 GAL	Standard Gallon ²	1	12
	PC16 QT	Standard Quart ²	1	3
	PC19 GAL	Custom Gallon	1	12
	PC20 QT	Custom Quart	1	3
AIR DIFFUSERS Recommended for use with 9/16" systems	AD16	2'x2' 1 Slot with 6" Collar	1	7
	AD18	2'x2' 1 Slot with 8" Collar	1	7
	AD26	2'x2' 2 Slot with 6" Collar	1	8
	AD28	2'x2' 2 Slot with 8" Collar	1	8
	AD38	2'x2' 3 Slot with 8" Collar	1	8
	AD310	2'x2' 3 Slot with 10" Collar	1	9
	AD410	2'x2' 4 Slot with 10" Collar	1	10
	AD412	2'x2' 4 Slot with 12" Collar	1	10
USG LOGIX™ INTEGRATED SYSTEM	LGXUNVYK	USG Logix™ Integrated System Universal Yoke 4, 6, 100 mm, 150 mm, HDG, 2-Part Yoke	10	4
	UMB-4-6	4, 6, Utility Module Bracket (UMB)	8	1.9
	UMB-100-150	100 mm, 150 mm, Utility Module Bracket (UMB)	8	1.9
ADJUSTABLE WALL MOLDING BRACKET	SB2	SB2 adjustable wall molding bracket used to secure standard wall molding at an angle to accommodate a sloped acoustical ceiling	100	11

Notes

- One carton contains six 12 oz. cans. Paints cannot be shipped air freight.
- Specify color number from price list.
- Punch tools are not covered under the USG Standard Product Warranty. There is a basic and limited warranty for three months of normal use. Any damage beyond three months must be evaluated and a repair fee may be assessed. Please refer to AC3264 for more information.

CROSS TEE HOLE PUNCHES

TOUCH-UP PAINT

AIR DIFFUSERS
Recommended for use with 9/16" systems

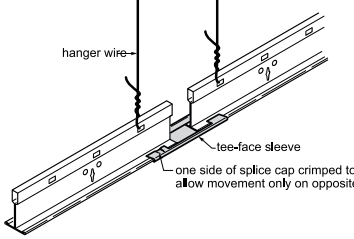
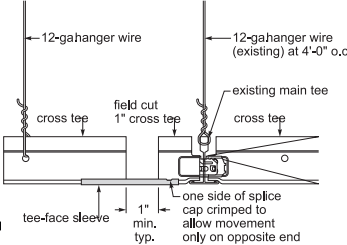
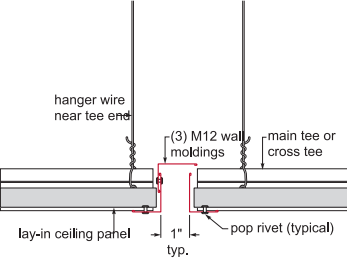
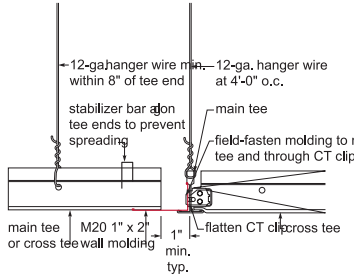
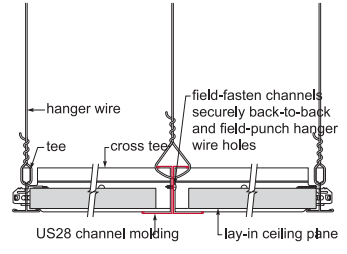
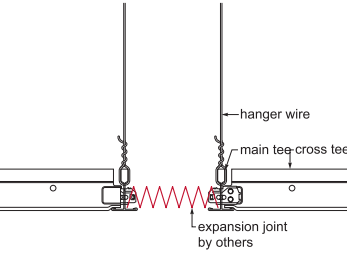
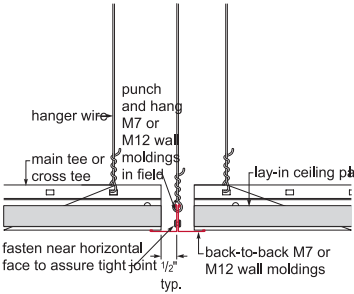
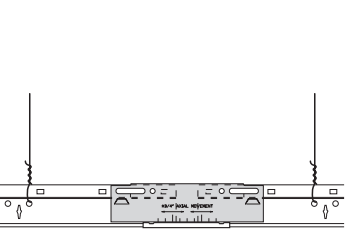
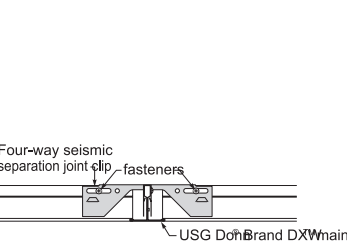
USG LOGIX™ INTEGRATED SYSTEM

ADJUSTABLE WALL MOLDING BRACKET

SUSPENSION SYSTEMS ACCESSORIES

SEPARATION JOINTS

When a separation joint is required, USG offers several options that are practical, easy to install, and designed for minimal visibility. USG Donn® Brand separation joints represent the greatest range of options to satisfy the stringent requirements for separation joints. For more information on seismic separation joints, please refer to Seismic Technical Guide (SC2496.)

<p>Tee Face (Main Tee or Cross Tee) Sleeve</p> <p>Available for USG Donn® Brand DX[®]/DXL[™], Identitee[™] DXI[™], Centricitee[™] DXT[™]/DXLT[™] and Fineline[®] DXF[™]/DXFF[™]</p>  <p>hanger wire</p> <p>tee-face sleeve</p> <p>one side of splice cap crimped to allow movement only on opposite end</p>	<p>Tee Face (Cross Tee) Sleeve</p>  <p>12-gauge hanger wire</p> <p>cross tee</p> <p>field cut</p> <p>1" cross tee</p> <p>existing main tee</p> <p>tee-face sleeve</p> <p>1" min. typ.</p> <p>one side of splice cap crimped to allow movement only on opposite end</p>	<p>Expansion Joint—M12 Molding</p>  <p>hanger wire near tee end</p> <p>(3) M12 wall moldings</p> <p>main tee or cross tee</p> <p>lay-in ceiling panel</p> <p>1" typ.</p> <p>pop rivet (typical)</p>
<p>Expansion Joint—M20 Molding</p>  <p>12-gauge hanger wire within 8" of tee end</p> <p>stabilizer bar on tee ends to prevent spreading</p> <p>main tee</p> <p>field-fasten molding to main tee and through CT clips</p> <p>M20 1" x 2" or cross tee wall molding</p> <p>1" min. typ.</p> <p>flatten CT clip</p>	<p>Expansion Joint—US28 Molding</p>  <p>hanger wire</p> <p>tee</p> <p>cross tee</p> <p>field-fasten channels securely back-to-back and field-punch hanger wire holes</p> <p>US28 channel molding</p> <p>lay-in ceiling panel</p>	<p>Expansion Joint—Accordion Style</p>  <p>hanger wire</p> <p>main tee-cross tee</p> <p>expansion joint by others</p>
<p>Expansion Joint—M7 Molding</p>  <p>hanger wire</p> <p>punch and hang M7 or M12 wall moldings in field</p> <p>main tee or cross tee</p> <p>lay-in ceiling panel</p> <p>fasten near horizontal face to assure tight joint 1/2" typ.</p> <p>back-to-back M7 or M12 wall moldings</p>	<p>Expansion Joint DH2</p> 	<p>Slip Joint</p>  <p>Four-way seismic separation joint clip fasteners</p> <p>USG Donn Brand DXW main tee</p>